



ARTIQ LATE



TYPICALS



UNI | SOURCE

Toll Free: 800-598-7278

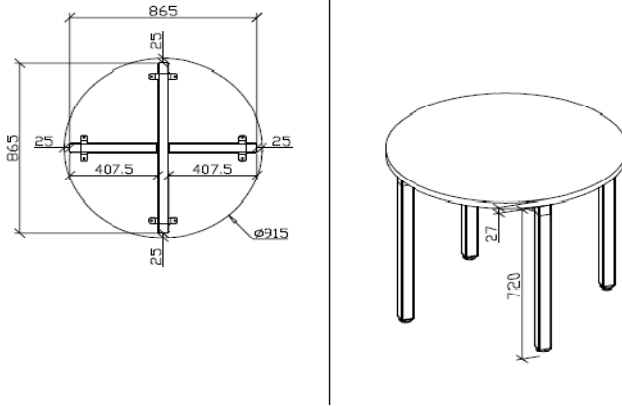
Phone: 616-455-9400

Fax: 616-455-9494

Table of Contents

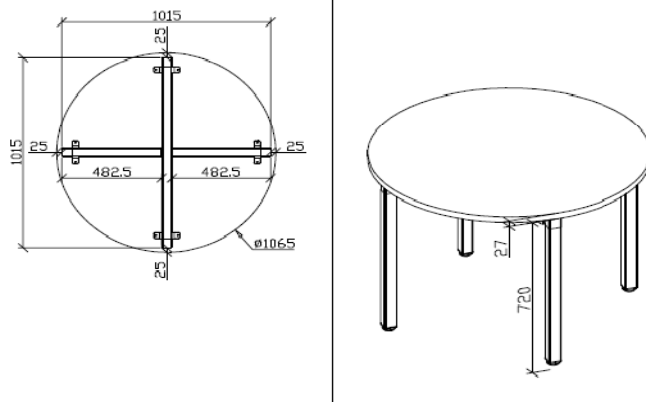
Typicals 1 - 2	
Typical 1 - Round Meeting Table 36"	1
Typical 2 - Round Meeting Table 42"	1
Typicals 3 - 4	
Typical 3 - Square Meeting Table - 36"	2
Typical 4 - Square Meeting Table - 42"	2
Typicals 5 - 7	
Typical 5 - Single Beam Rectangular Desk - 24" x 48"	3
Typical 6 - Single Beam Rectangular Desk - 24" x 60"	3
Typical 7 - Single Beam Rectangular Desk - 24" x 72"	4
Typicals 8 - 10	
Typical 8 - Twin Beam Rectangular Desk - 30" x 48"	5
Typical 9 - Twin Beam Rectangular Desk - 30" x 60"	5
Typical 10 - Twin Beam Rectangular Desk - 30" x 72"	6
Typicals 11 - 13	
Typical 11 - Single Line Workstation - 2 person 24" x 96"	7
Typical 12 - Single Line Workstation - 2 person 24" x 120"	7
Typical 13 - Single Line Workstation - 2 person 24" x 144"	8
Typicals 14 - 16	
Typical 14 - Single Line Workstation - 2 person 30" x 96"	9
Typical 15 - Single Line Workstation - 2 person 30" x 120"	9
Typical 16 - Single Line Workstation - 2 person 30" x 144"	10
Typicals 17 - 19	
Typical 17 - Single Line Workstation - 3 person 24" x 144"	11
Typical 18 - Single Line Workstation - 3 person 24" x 180"	11
Typical 19 - Single Line Workstation - 3 person 24" x 216"	12
Typicals 20 - 22	
Typical 20 - Single Line Workstation - 3 person 30" x 144"	13
Typical 21 - Single Line Workstation - 3 person 30" x 180"	13
Typical 22 - Single Line Workstation - 3 person 30" x 216"	14
Typical 23 - Executive Desk	15
Typical 24 - Four Person Cluster with Mesh Screens	16
Typical 25 - Five Person Telemarketing Cluster with Acrylic Screens	17
Typical 26 - Six Person Cluster with Mesh Screens and Return	18
Typical 27 - Three Person 120 degree Cluster with Mesh Screens	19
Typical 28 - Seven Person Cluster with Slat Wall	20

All dimensions are nominal not actual



Typical 1 - Round Meeting Table - 36"

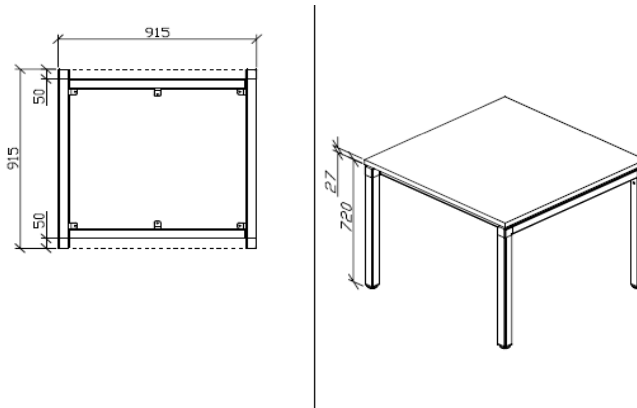
Qty	Part Number	Description	List Price	Total List
4	RTPL.28.XX	Post leg with silver glide	\$ 128.00	\$ 512.00
1	RTCB.26.XX	26" Table cross beam	\$ 67.00	\$ 67.00
2	RTCB.12.XX	12" Table cross beam	\$ 33.00	\$ 66.00
2	RTTIB.XX	Intersect Bracket	\$ 25.00	\$ 50.00
4	RTDB.SVR	Desk Connecting Bracket	\$ 18.00	\$ 72.00
1	ERT.36.XX	36" Round table top (3mm)	\$ 409.00	\$ 409.00
TOTAL				\$ 1,176.00



Typical 2 - Round Meeting Table - 42"

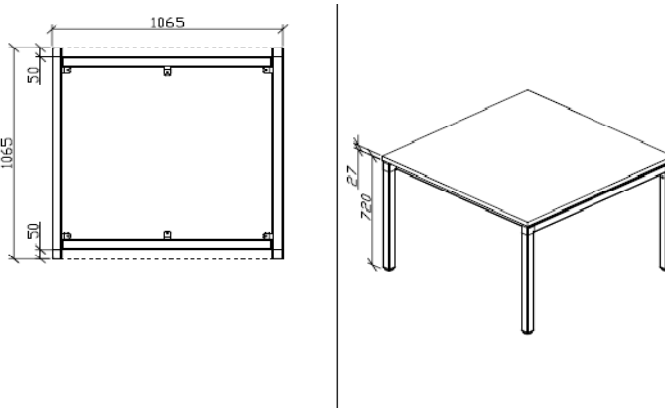
Qty	Part Number	Description	List Price	Total List
4	RTPL.28.XX	Post leg with silver glide	\$ 128.00	\$ 512.00
1	RTCB.32.XX	32" Table cross beam	\$ 82.00	\$ 82.00
2	RTCB.15.XX	15" Table cross beam	\$ 43.00	\$ 86.00
2	RTTIB.XX	Intersect Bracket	\$ 25.00	\$ 50.00
4	RTDB.SVR	Desk Connecting Bracket	\$ 18.00	\$ 72.00
1	ERT.42.XX	42" Round table top (3mm)	\$ 730.00	\$ 730.00
TOTAL				\$ 1,532.00

All dimensions are nominal not actual



Typical 3 - Square Meeting Table - 36"

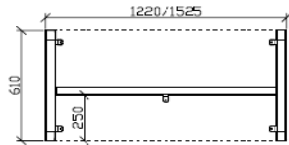
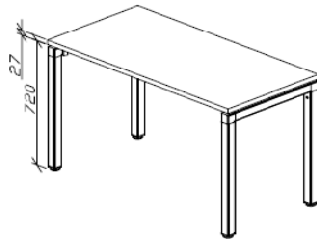
Qty	Part Number	Description	List Price	Total List
4	RTPL.28.XX	Post leg with silver glide	\$ 128.00	\$ 512.00
2	RTCB.32.XX	32" Table cross beam	\$ 82.00	\$ 164.00
2	RTTB.32.XX	32" Table beam	\$ 82.00	\$ 164.00
4	RTTIB.XX	Intersect Bracket	\$ 25.00	\$ 100.00
4	RTDB.SVR	Desk Connecting Bracket	\$ 18.00	\$ 72.00
1	EST.36.XX	36" Square table top (3mm)	\$ 422.00	\$ 422.00
TOTAL				\$ 1,434.00



Typical 4 - Square Meeting Table - 42"

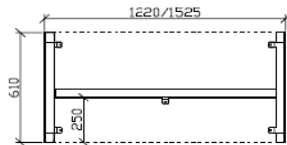
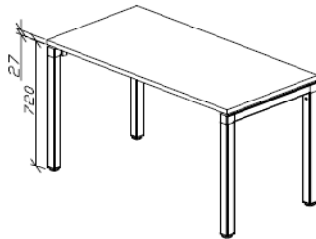
Qty	Part Number	Description	List Price	Total List
4	RTPL.28.XX	Post leg with silver glide	\$ 128.00	\$ 512.00
2	RTCB.38.XX	38" Table cross beam	\$ 97.00	\$ 194.00
2	RTTB.38.XX	38" Table beam	\$ 97.00	\$ 194.00
4	RTTIB.XX	Intersect Bracket	\$ 25.00	\$ 100.00
6	RTDB.SVR	Desk Connecting Bracket	\$ 18.00	\$ 108.00
1	EST.42.XX	42" Square table top	\$ 729.00	\$ 729.00
TOTAL				\$ 1,837.00

All dimensions are nominal not actual



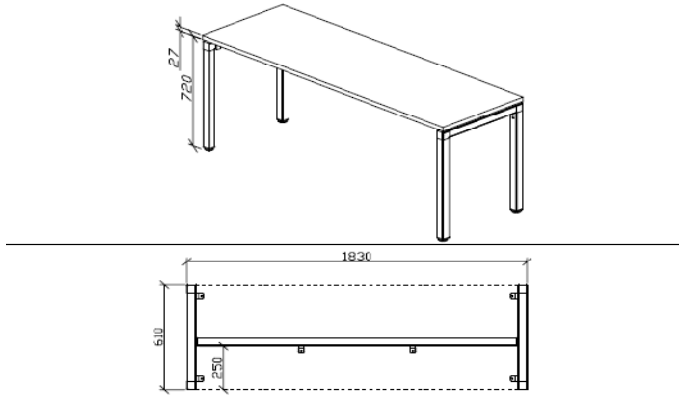
Typical 5 - Single Beam Rectangular Desk - 24" x 48"

Qty	Part Number	Description	List Price	Total List
4	RTPL.28.XX	Post leg with silver glide	\$ 128.00	\$ 512.00
2	RTCB.20.XX	20" Table cross beam	\$ 53.00	\$ 106.00
1	RTTB.44.XX	44" Table beam	\$ 111.00	\$ 111.00
2	RTTIB.XX	Intersect Bracket	\$ 25.00	\$ 50.00
5	RTDB.SVR	Desk Connecting Bracket	\$ 18.00	\$ 90.00
1	EWS.4824.XX	24" x 48" Rectangular surface	\$ 402.00	\$ 402.00
TOTAL				\$ 1,271.00



Typical 6 - Single Beam Rectangular Desk - 24" x 60"

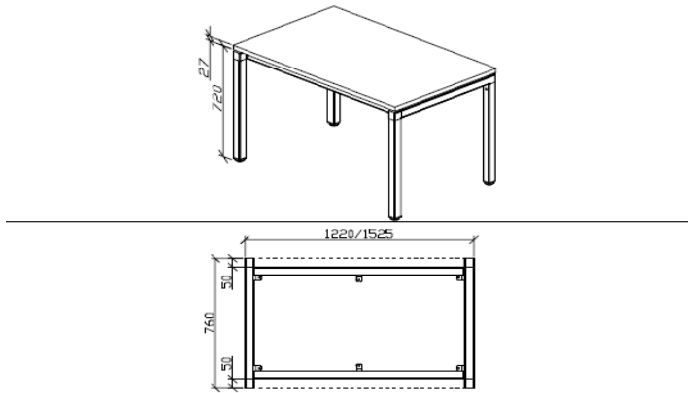
Qty	Part Number	Description	List Price	Total List
4	RTPL.28.XX	Post leg with silver glide	\$ 128.00	\$ 512.00
2	RTCB.20.XX	20" Table cross beam	\$ 53.00	\$ 106.00
1	RTTB.56.XX	56" Table beam	\$ 140.00	\$ 140.00
2	RTTIB.XX	Intersect Bracket	\$ 25.00	\$ 50.00
6	RTDB.SVR	Desk Connecting Bracket	\$ 18.00	\$ 108.00
1	EWS.6024.XX	24" x 60" Rectangular surface	\$ 510.00	\$ 510.00
TOTAL				\$ 1,426.00



Typical 7 - Single Beam Rectangular Desk - 24" x 72"

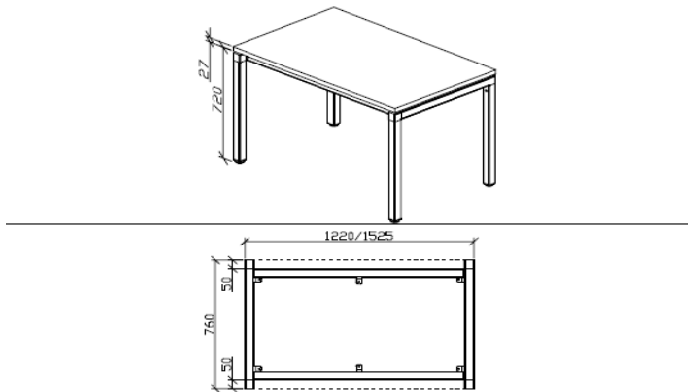
Qty	Part Number	Description	List Price	Total List
4	RTPL.28.XX	Post leg with silver glide	\$ 128.00	\$ 512.00
2	RTCB.20.XX	20" Table cross beam	\$ 53.00	\$ 106.00
1	RTTB.68.XX	68" Table beam	\$ 169.00	\$ 169.00
2	RTTIB.XX	Intersect Bracket	\$ 26.00	\$ 52.00
6	RTDB.SVR	Desk Connecting Bracket	\$ 18.00	\$ 108.00
1	EWS.7224.XX	24" x 72" Rectangular surface	\$ 582.00	\$ 582.00
TOTAL				\$ 1,529.00

All dimensions are nominal not actual



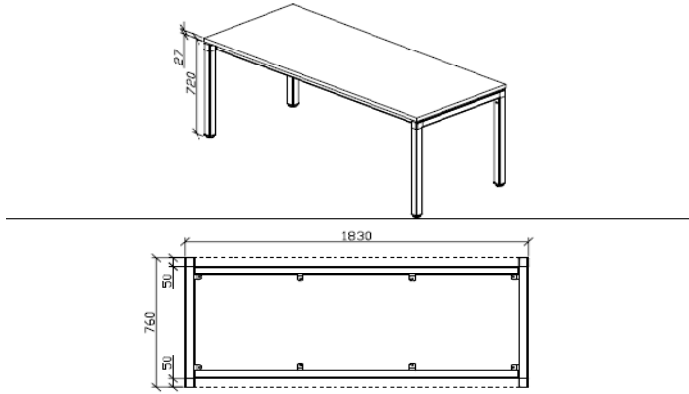
Typical 8 - Twin Beam Rectangular Desk - 30" x 48"

Qty	Part Number	Description	List Price	Total List
4	RTPL.28.XX	Post leg with silver glide	\$ 128.00	\$ 512.00
2	RTCB.26.XX	26" Table cross beam	\$ 67.00	\$ 134.00
2	RTTB.44.XX	44" Table beam	\$ 111.00	\$ 222.00
4	RTTIB.XX	Intersect Bracket	\$ 25.00	\$ 100.00
4	RTDB.SVR	Desk Connecting Bracket	\$ 18.00	\$ 72.00
1	EWS.4830.XX	30" x 48" Rectangular surface	\$ 460.00	\$ 460.00
TOTAL				\$ 1,500.00



Typical 9 - Twin Beam Rectangular Desk - 30" x 60"

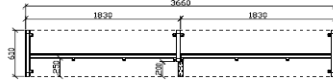
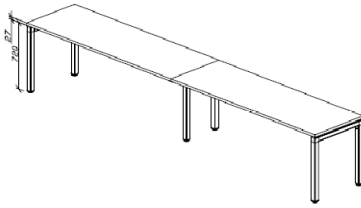
Qty	Part Number	Description	List Price	Total List
4	RTPL.28.XX	Post leg with silver glide	\$ 128.00	\$ 512.00
2	RTCB.26.XX	26" Table cross beam	\$ 67.00	\$ 134.00
2	RTTB.56.XX	56" Table beam	\$ 140.00	\$ 280.00
4	RTTIB.XX	Intersect Bracket	\$ 25.00	\$ 100.00
6	RTDB.SVR	Desk Connecting Bracket	\$ 18.00	\$ 108.00
1	EWS.6030.XX	30" x 60" Rectangular surface	\$ 572.00	\$ 572.00
TOTAL				\$ 1,706.00



Typical 10 - Twin Beam Rectangular Desk - 30" x 72"

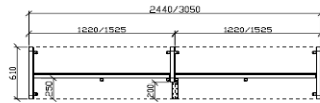
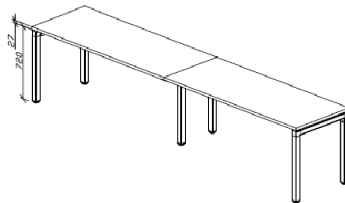
Qty	Part Number	Description	List Price	Total List
4	RTPL.28.XX	Post leg with silver glide	\$ 128.00	\$ 512.00
2	RTCB.26.XX	26" Table cross beam	\$ 67.00	\$ 134.00
2	RTTB.68.XX	68" Table beam	\$ 169.00	\$ 338.00
4	RTTIB.XX	Intersect Bracket	\$ 25.00	\$ 100.00
8	RTDB.SVR	Desk Connecting Bracket	\$ 18.00	\$ 144.00
1	EWS.7230.XX	30" x 72" Rectangular surface	\$ 693.00	\$ 693.00
TOTAL				\$ 1,921.00

All dimensions are nominal not actual



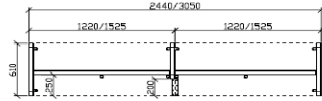
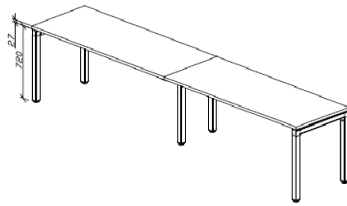
Typical 11 - Single Line Workstation - 2 person 24" x 96"

Qty	Part Number	Description	List Price	Total List
6	RTPL.28.XX	Post leg with silver glide	\$ 128.00	\$ 768.00
2	RTCB.20.XX	20" Table cross beam	\$ 53.00	\$ 106.00
1	RTCB.18.XX	18" Table cross beam	\$ 48.00	\$ 48.00
2	RTTB.45.XX	45" Table beam	\$ 116.00	\$ 232.00
4	RTTIB.XX	Intersect Bracket	\$ 25.00	\$ 100.00
8	RTDB.SVR	Desk Connecting Bracket	\$ 18.00	\$ 144.00
2	EWS.4824.XX	24" x 48" Rectangular surface	\$ 402.00	\$ 804.00
TOTAL				\$ 2,202.00



Typical 12 - Single Line Workstation - 2 person 24" x 120"

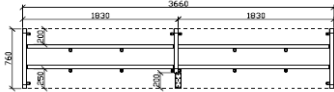
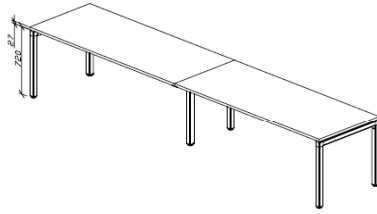
Qty	Part Number	Description	List Price	Total List
6	RTPL.28.XX	Post leg with silver glide	\$ 128.00	\$ 768.00
2	RTCB.20.XX	20" Table cross beam	\$ 53.00	\$ 106.00
1	RTCB.18.XX	18" Table cross beam	\$ 48.00	\$ 48.00
2	RTTB.57.XX	57" Table beam	\$ 145.00	\$ 290.00
4	RTTIB.XX	Intersect Bracket	\$ 25.00	\$ 100.00
10	RTDB.SVR	Desk Connecting Bracket	\$ 18.00	\$ 180.00
2	EWS.6024.XX	24" x 60" Rectangular surface	\$ 510.00	\$ 1,020.00
TOTAL				\$ 2,512.00



Typical 13 - Single Line Workstation - 2 person 24" x 144"

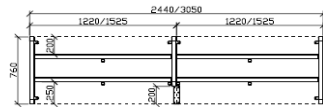
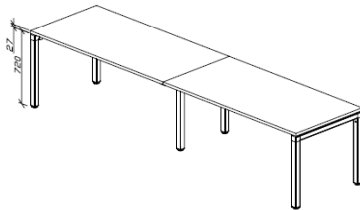
Qty	Part Number	Description	List Price	Total List
6	RTPL.28.XX	Post leg with silver glide	\$ 128.00	\$ 768.00
2	RTCB.20.XX	20" Table cross beam	\$ 53.00	\$ 106.00
1	RTCB.18.XX	18" Table cross beam	\$ 48.00	\$ 48.00
4	RTTB.66.XX	69" Table beam	\$ 174.00	\$ 696.00
4	RTTIB.XX	Intersect Bracket	\$ 25.00	\$ 100.00
10	RTDB.SVR	Desk Connecting Bracket	\$ 18.00	\$ 180.00
2	EWS.7224.XX	24" x 72" Rectangular surface	\$ 582.00	\$ 1,164.00
TOTAL				\$ 3,062.00

All dimensions are nominal not actual



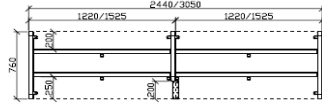
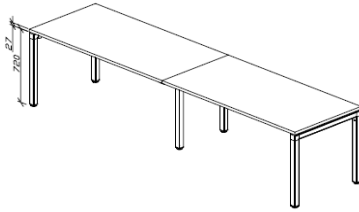
Typical 14 - Single Line Workstation - 2 person 30" x 96"

Qty	Part Number	Description	List Price	Total List
6	RTPL.28.XX	Post leg with silver glide	\$ 128.00	\$ 768.00
2	RTCB.26.XX	26" Table cross beam	\$ 67.00	\$ 134.00
1	RTCB.22.XX	22" Table cross beam	\$ 58.00	\$ 58.00
4	RTTB.45.XX	45" Table beam	\$ 116.00	\$ 464.00
8	RTTIB.XX	Intersect Bracket	\$ 25.00	\$ 200.00
8	RTDB.SVR	Desk Connecting Bracket	\$ 18.00	\$ 144.00
2	EWS.4830.XX	30" x 48" Rectangular surface	\$ 460.00	\$ 920.00
TOTAL				\$ 2,688.00



Typical 15 - Single Line Workstation - 2 person 30" x 120"

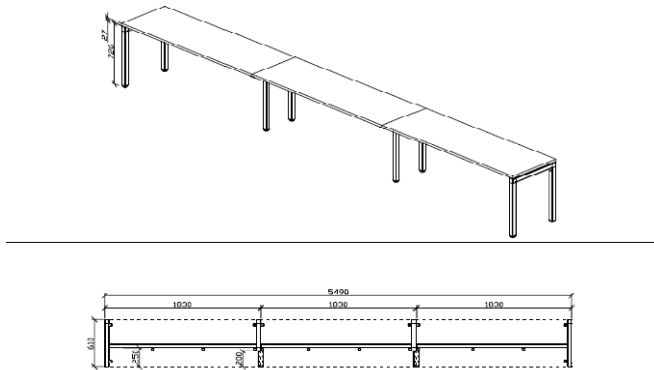
Qty	Part Number	Description	List Price	Total List
6	RTPL.28.XX	Post leg with silver glide	\$ 128.00	\$ 768.00
2	RTCB.26.XX	26" Table cross beam	\$ 67.00	\$ 134.00
1	RTCB.22.XX	22" Table cross beam	\$ 58.00	\$ 58.00
4	RTTB.57.XX	57" Table beam	\$ 145.00	\$ 580.00
8	RTTIB.XX	Intersect Bracket	\$ 25.00	\$ 200.00
10	RTDB.SVR	Desk Connecting Bracket	\$ 18.00	\$ 180.00
2	EWS.6030.XX	30" x 60" Rectangular surface	\$ 572.00	\$ 1,144.00
TOTAL				\$ 3,064.00



Typical 16 - Single Line Workstation - 2 person 30" x 144"

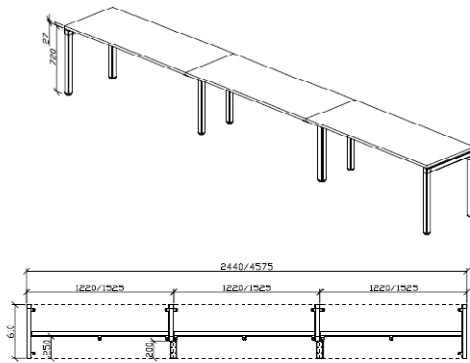
Qty	Part Number	Description	List Price	Total List
6	RTPL.28.XX	Post leg with silver glide	\$ 128.00	\$ 768.00
2	RTCB.26.XX	26" Table cross beam	\$ 67.00	\$ 134.00
1	RTCB.22.XX	22" Table cross beam	\$ 58.00	\$ 58.00
4	RTTB.69.XX	69" Table beam	\$ 174.00	\$ 696.00
8	RTTIB.XX	Intersect Bracket	\$ 25.00	\$ 200.00
10	RTDB.SVR	Desk Connecting Bracket	\$ 18.00	\$ 180.00
2	EWS.7230.XX	30" x 72" Rectangular surface	\$ 693.00	\$ 1,386.00
TOTAL				\$ 3,422.00

All dimensions are nominal not actual



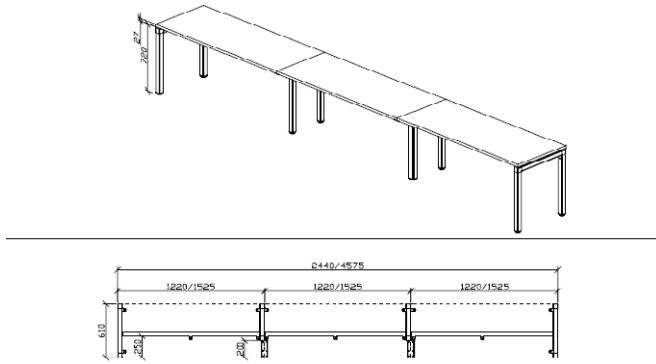
Typical 17 - Single Line Workstation - 3 person 24" x 144"

Qty	Part Number	Description	List Price	Total List
8	RTPL.28.XX	Post leg with silver glide	\$ 128.00	\$ 1,024.00
2	RTCB.20.XX	20" Table cross beam	\$ 53.00	\$ 106.00
2	RTCB.18.XX	18" Table cross beam	\$ 48.00	\$ 96.00
3	RTTB.45.XX	45.3" Table beam	\$ 116.00	\$ 348.00
6	RTTIB.XX	Intersect Bracket	\$ 25.00	\$ 150.00
18	RTDB.SVR	Desk Connecting Bracket	\$ 18.00	\$ 324.00
3	EWS.4824.XX	24" x 48" Rectangular surface	\$ 402.00	\$ 1,206.00
TOTAL				\$ 3,254.00



Typical 18 - Single Line Workstation - 3 person 24" x 180"

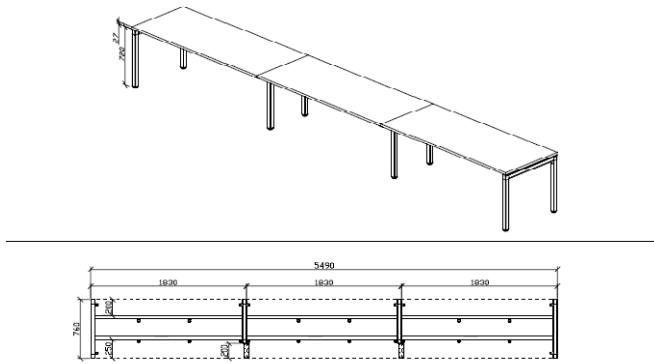
Qty	Part Number	Description	List Price	Total List
8	RTPL.28.XX	Post leg with silver glide	\$ 128.00	\$ 1,024.00
2	RTCB.20.XX	20" Table cross beam	\$ 53.00	\$ 106.00
2	RTCB.18.XX	18" Table cross beam	\$ 48.00	\$ 96.00
3	RTTB.57.XX	57.3" Table beam	\$ 145.00	\$ 435.00
6	RTTIB.XX	Intersect Bracket	\$ 25.00	\$ 150.00
18	RTDB.SVR	Desk Connecting Bracket	\$ 18.00	\$ 324.00
3	EWS.6024.XX	24" x 60" Rectangular surface	\$ 510.00	\$ 1,530.00
TOTAL				\$ 3,665.00



Typical 19 - Single Line Workstation - 3 person 24" x 216"

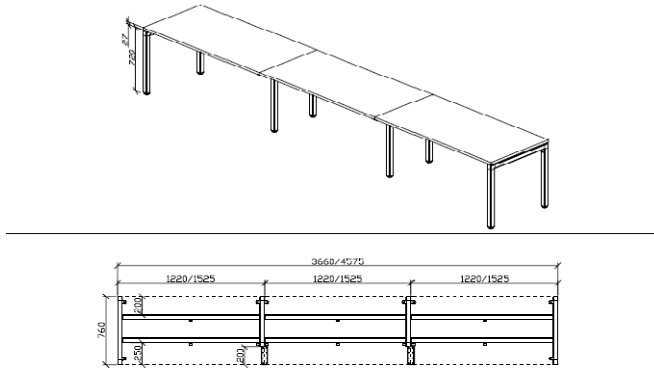
Qty	Part Number	Description	List Price	Total List
8	RTPL.28.XX	Post leg with silver glide	\$ 128.00	\$ 1,024.00
2	RTCB.20.XX	20" Table cross beam	\$ 53.00	\$ 106.00
2	RTCB.18.XX	18" Table cross beam	\$ 48.00	\$ 96.00
3	RTTB.69.XX	69.3" Table beam	\$ 174.00	\$ 522.00
6	RTTIB.XX	Intersect Bracket	\$ 25.00	\$ 150.00
18	RTDB.SVR	Desk Connecting Bracket	\$ 18.00	\$ 324.00
3	EWS.7224.XX	24" x 72" Rectangular surface	\$ 582.00	\$ 1,746.00
TOTAL				\$ 3,968.00

All dimensions are nominal not actual



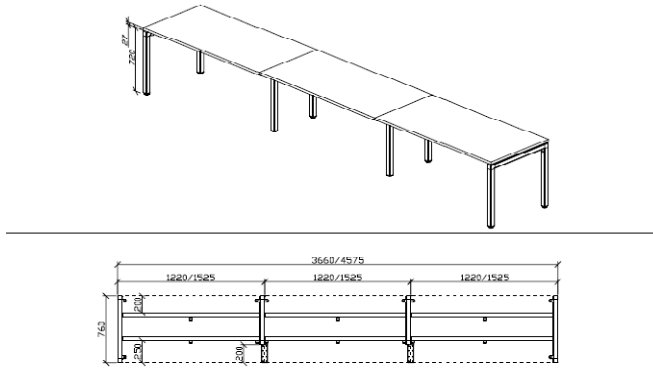
Typical 20 - Single Line Workstation - 3 person 30" x 144"

Qty	Part Number	Description	List Price	Total List
8	RTPL.28.XX	Post leg with silver glide	\$ 128.00	\$ 1,024.00
2	RTCB.26.XX	26" Table cross beam	\$ 67.00	\$ 134.00
2	RTCB.22.XX	22" Table cross beam	\$ 58.00	\$ 116.00
6	RTTB.45.XX	45" Table beam	\$ 116.00	\$ 696.00
12	RTTIB.XX	Intersect Bracket	\$ 25.00	\$ 300.00
18	RTDB.SVR	Desk Connecting Bracket	\$ 18.00	\$ 324.00
3	EWS.4830.XX	30" x 48" Rectangular surface	\$ 460.00	\$ 1,380.00
TOTAL				\$ 3,974.00



Typical 21 - Single Line Workstation - 3 person 30" x 180"

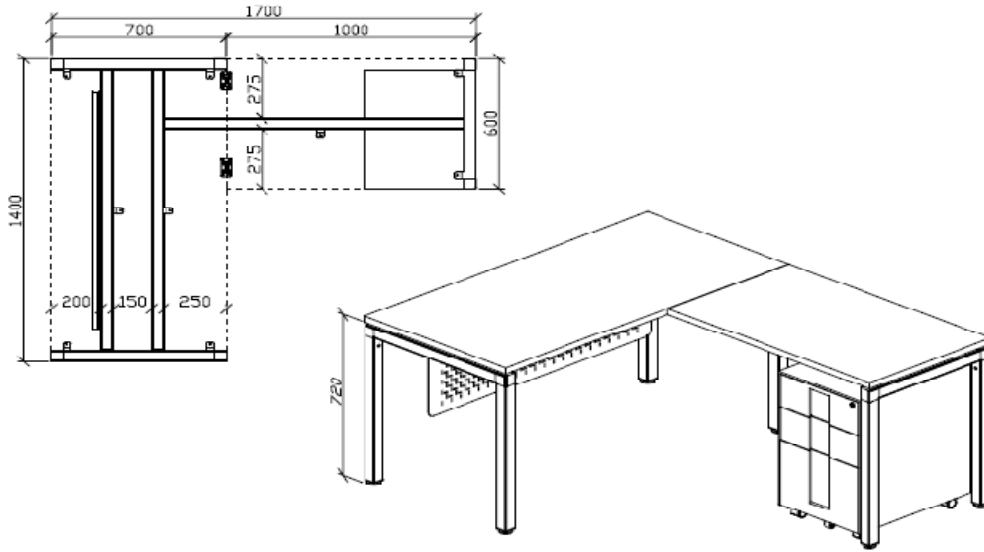
Qty	Part Number	Description	List Price	Total List
8	RTPL.28.XX	Post leg with silver glide	\$ 128.00	\$ 1,024.00
2	RTCB.26.XX	26" Table cross beam	\$ 67.00	\$ 134.00
2	RTCB.24.XX	22" Table cross beam	\$ 58.00	\$ 116.00
6	RTTB.57.XX	57" Table beam	\$ 145.00	\$ 870.00
12	RTTIB.XX	Intersect Bracket	\$ 25.00	\$ 300.00
18	RTDB.SVR	Desk Connecting Bracket	\$ 18.00	\$ 324.00
3	EWS.6030.XX	30" x 60" Rectangular surface	\$ 572.00	\$ 1,716.00
TOTAL				\$ 4,484.00



Typical 22 - Single Line Workstation - 3 person 30" x 216"

Qty	Part Number	Description	List Price	Total List
8	RTPL.28.XX	Post leg with silver glide	\$ 128.00	\$ 1,024.00
2	RTCB.26.XX	26" Table cross beam	\$ 67.00	\$ 134.00
2	RTCB.22.XX	22" Table cross beam	\$ 58.00	\$ 116.00
6	RTTB.69.XX	69" Table beam	\$ 174.00	\$ 1,044.00
12	RTTIB.XX	Intersect Bracket	\$ 25.00	\$ 300.00
18	RTDB.SVR	Desk Connecting Bracket	\$ 18.00	\$ 324.00
3	EWS.7230.XX	30" x 72" Rectangular surface	\$ 693.00	\$ 2,079.00
TOTAL				\$ 5,021.00

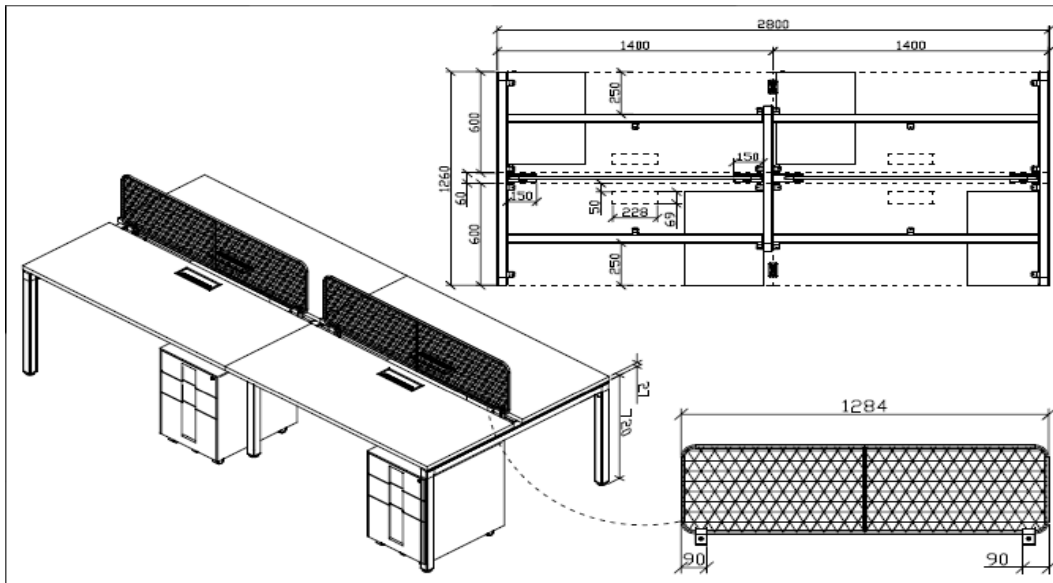
All dimensions are nominal not actual



Typical 23 - Executive Desk

Qty	Part Number	Description	List Price	Total List
6	RTPL.28.XX	Post leg w/silver glide	\$ 128.00	\$ 768.00
2	RTCB.26.XX	26" Table Cross Beam	\$ 67.00	\$ 134.00
1	RTCB.20.XX	20" Table Cross Beam	\$ 53.00	\$ 53.00
2	RTTB.56.XX	56" Table Beam	\$ 140.00	\$ 280.00
1	RTTB.50.XX	50" Table Beam	\$ 126.00	\$ 126.00
9	RTDB.SVR	Desk Connect Bracket	\$ 18.00	\$ 162.00
6	RTTIB.XX	Intersect Bracket	\$ 25.00	\$ 150.00
1	MP6612DT	Box/box/file Mobile Pedestal	\$ 876.00	\$ 876.00
1	Mod Pnl 47	Modesty Panel 47"	\$ 377.00	\$ 377.00
1	EWS.6030.XX	60" X 30" Rectangular surface	\$ 572.00	\$ 572.00
1	EWS.4224.XX	42" X 24" Rectangular surface	\$ 375.00	\$ 375.00
2	FP.25BK	Gang Plates	\$ 20.00	\$ 40.00
TOTAL				\$ 3,913.00

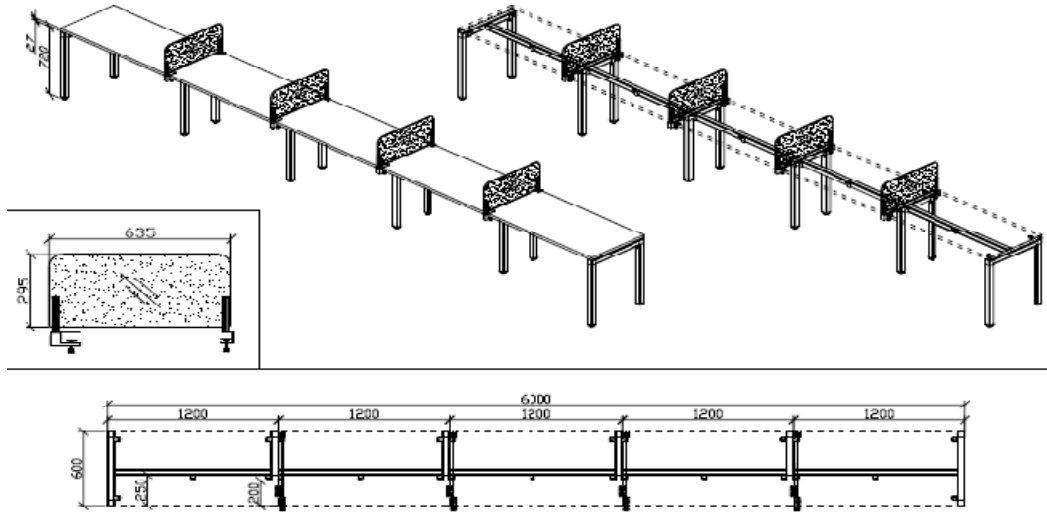
All dimensions are nominal not actual



Typical 24 - Four Person Cluster with Mesh Screens

Qty	Part Number	Description	List Price	Total List
6	RTPL.28.XX	Post leg w/silver glide	\$ 128.00	\$ 768.00
1	RTCB.36.XX	36" Table Cross Beam	\$ 92.00	\$ 92.00
2	RTCB.46.XX	46" Table Cross Beam	\$ 116.00	\$ 232.00
6	RTTB.57.XX	57" Table Beam	\$ 145.00	\$ 870.00
12	RTTIB.XX	Intersect Bracket	\$ 25.00	\$ 300.00
20	RTDB.SVR	Desk Connect Bracket	\$ 18.00	\$ 360.00
2	RTMS.5014.XX	50" w x 14" h Mesh Desktop Srn	\$ 276.00	\$ 552.00
4	MP6612DT	Box/box/file Mobile Pedestal	\$ 876.00	\$ 3,504.00
4	RECT GROMMET	Rectangular Grommet	\$ 164.00	\$ 656.00
4	EWS.6024.XX	60" X 24" Rectangular surface	\$ 510.00	\$ 2,040.00
TOTAL				\$ 9,374.00

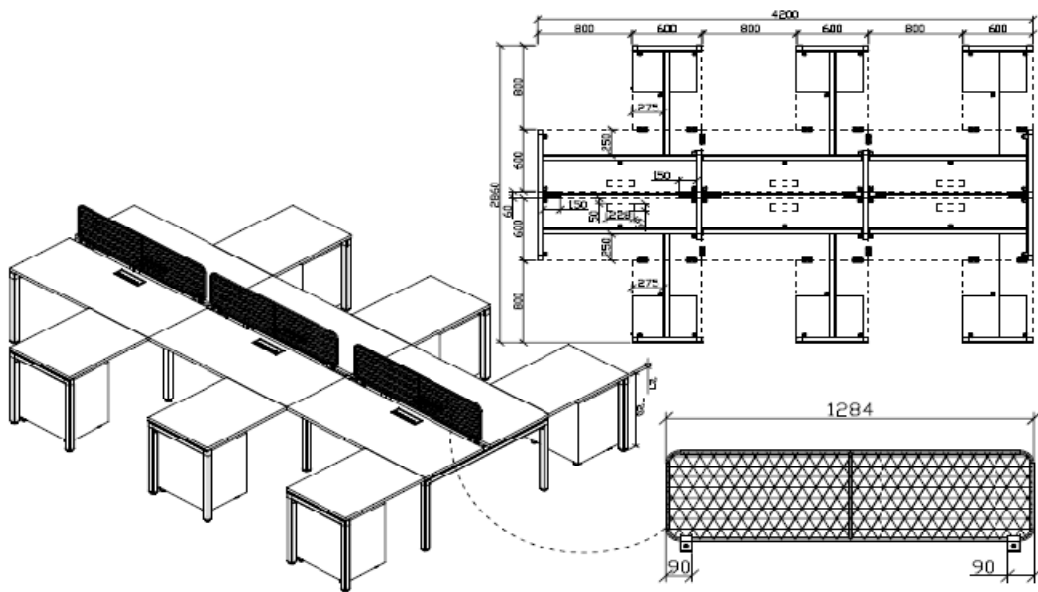
All dimensions are nominal not actual



Typical 25 - Five Person Telemarketing Cluster with Acrylic Screens

Qty	Part Number	Description	List Price	Total List
12	RTPL.28.XX	Post leg w/silver glide	\$ 128.00	\$ 1,536.00
4	RTCB.16.XX	16" Table Cross Beam	\$ 43.00	\$ 172.00
2	RTCB.20.XX	20" Table Cross Beam	\$ 53.00	\$ 106.00
5	RTTB.45.XX	45" Table Beam	\$ 116.00	\$ 580.00
20	RTDB.SVR	Desk Connect Bracket	\$ 18.00	\$ 360.00
10	RTTIB.XX	Intersect Bracket	\$ 25.00	\$ 250.00
4	RTADS.2512.CL	Acrylic Divider Screen w/clips	\$ 254.00	\$ 1,016.00
5	EWS.4824.XX	48" X 24" Rectangular surface	\$ 402.00	\$ 2,010.00
TOTAL				\$ 6,030.00

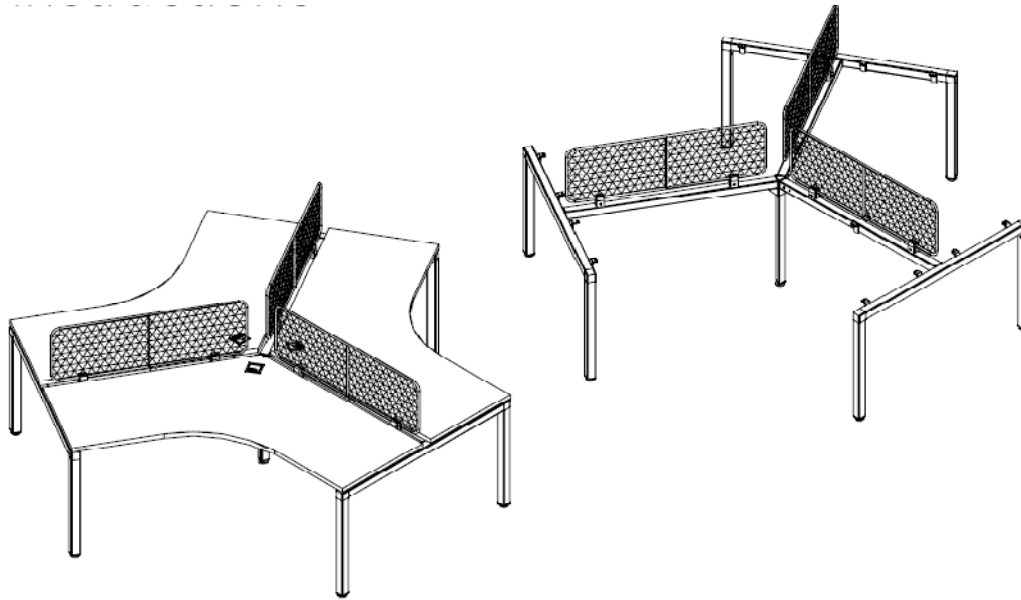
All dimensions are nominal not actual



Typical 26 - Six Person Cluster with Mesh Screens and Return

Qty	Part Number	Description	List Price	Total List
20	RTPL.28.XX	Post leg w/silver glide	\$ 128.00	\$ 2,560.00
6	RTCB.20.XX	20" Table Cross Beam	\$ 53.00	\$ 318.00
2	RTCB.32.XX	32" Table Cross Beam	\$ 82.00	\$ 164.00
2	RTCB.46.XX	46" Table Cross Beam	\$ 116.00	\$ 232.00
6	RTTB.37.XX	37" Table Beam	\$ 97.00	\$ 582.00
6	RTTB.57.XX	57" Table Beam	\$ 145.00	\$ 870.00
30	RTDB.SVR	Desk Connect Bracket	\$ 18.00	\$ 540.00
24	RTTIB.XX	Intersect Bracket	\$ 25.00	\$ 600.00
3	RTMS.5014.XX	50" w x 14" h Mesh Desktop Srn	\$ 276.00	\$ 828.00
6	RECT GROMMET	Rectangular Grommet	\$ 164.00	\$ 984.00
6	MP6612DT	Box/box/file Mobile Pedestal	\$ 876.00	\$ 5,256.00
6	EWS.6024.XX	60" X 24" Rectangular surface	\$ 510.00	\$ 3,060.00
6	EWS.3024.XX	30" X 24" Rectangular surface	\$ 289.00	\$ 1,734.00
12	FP.25BK	Gang Plates	\$ 25.00	\$ 300.00
TOTAL			\$	18,028.00

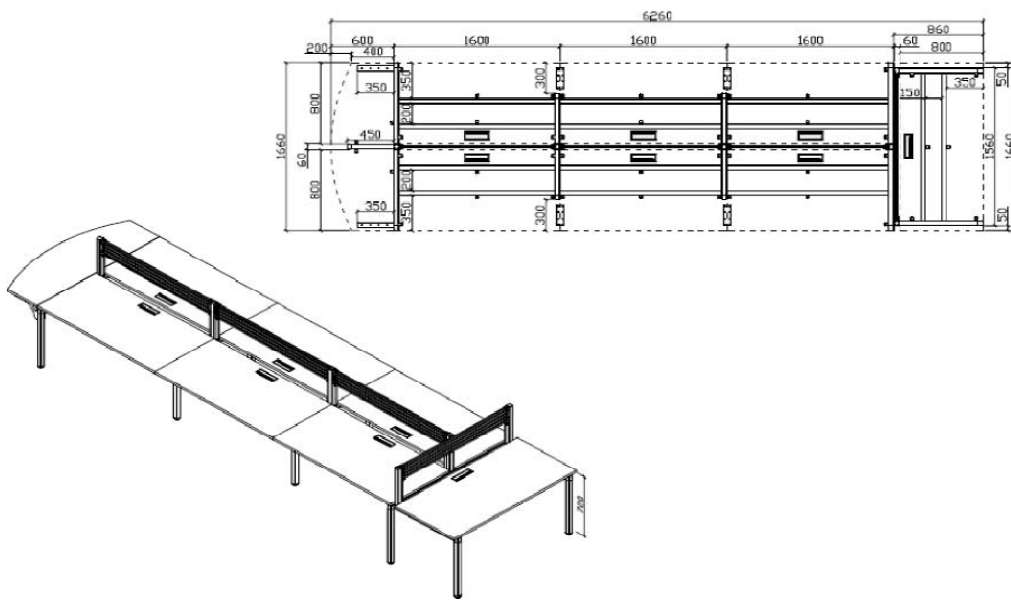
All dimensions are nominal not actual



Typical 27 - Three Person 120 degree Cluster with Mesh Screens

Qty	Part Number	Description	List Price	Total List
6	RTPL.28.XX	Post leg w/silver glide	\$ 128.00	\$ 768.00
1	RT3P.28	3 Way Post Leg with Glide	\$ 108.00	\$ 108.00
3	RTCB.46.XX	46" Table Cross Beam	\$ 116.00	\$ 348.00
3	RTTB.45.XX	45" Table Beam	\$ 116.00	\$ 348.00
3	RTMS.4314.XX	43" w x 14" h Mesh Desktop Srn	\$ 237.00	\$ 711.00
6	RTTIB.XX	Intersect Bracket	\$ 25.00	\$ 150.00
18	RTDB.xx	Desk Connect Bracket	\$ 18.00	\$ 324.00
3	ECWS.120.4824	48" X 24" 120 Degree surface	\$ 1,355.00	\$ 4,065.00
TOTAL				\$ 6,822.00

All dimensions are nominal not actual



Typical 28 - Seven Person Cluster with Slat Wall

Qty	Part Number	Description	List Price	Total List
11	RTPL.28.XX	Post leg w/silver glide	\$ 128.00	\$ 1,408.00
2	RTCB.58.XX	58" Table Cross Beam	\$ 145.00	\$ 290.00
2	RTCB.42.XX	42" Table Cross Beam	\$ 106.00	\$ 212.00
2	RTCB.26.XX	26" Table Cross Beam	\$ 67.00	\$ 134.00
1	RTTB.18.XX	18" Table Beam	\$ 48.00	\$ 48.00
9	RTTB.57.XX	57" Table Beam	\$ 145.00	\$ 1,305.00
24	RTDB.SVR	Desk Connect Bracket	\$ 18.00	\$ 432.00
19	RTTIB.XX	Intersect Bracket	\$ 25.00	\$ 475.00
1	RTEBR.14xx	14" right hand support arm	\$ 44.00	\$ 44.00
1	RTEBL.14xx	14" left hand support arm	\$ 44.00	\$ 44.00
7	RECT GROMMET	Rectangular Grommet	\$ 164.00	\$ 1,148.00
4	RTSW.50xx	50" slat wall assembly	\$ 410.00	\$ 1,640.00
6	EWS.6030.XX	60" X 30" Rectangular surface	\$ 572.00	\$ 3,432.00
1	EWS.3024.XX	62" X 30" Rectangular surface	\$ 630.00	\$ 630.00
1	EWS.D6224xx	62" X 30" "D" shap w'surface	\$ 693.00	\$ 693.00
TOTAL			\$	11,935.00