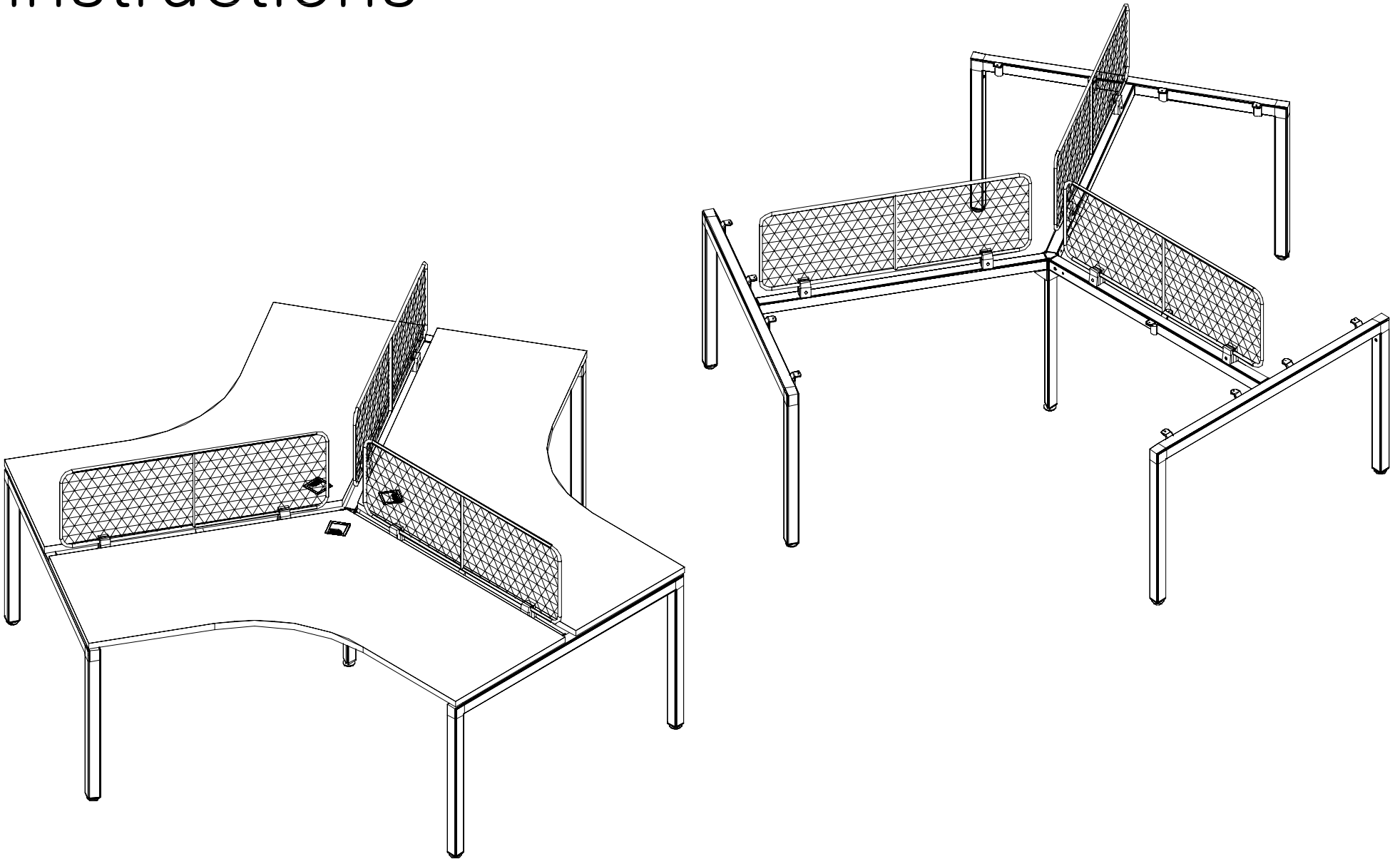
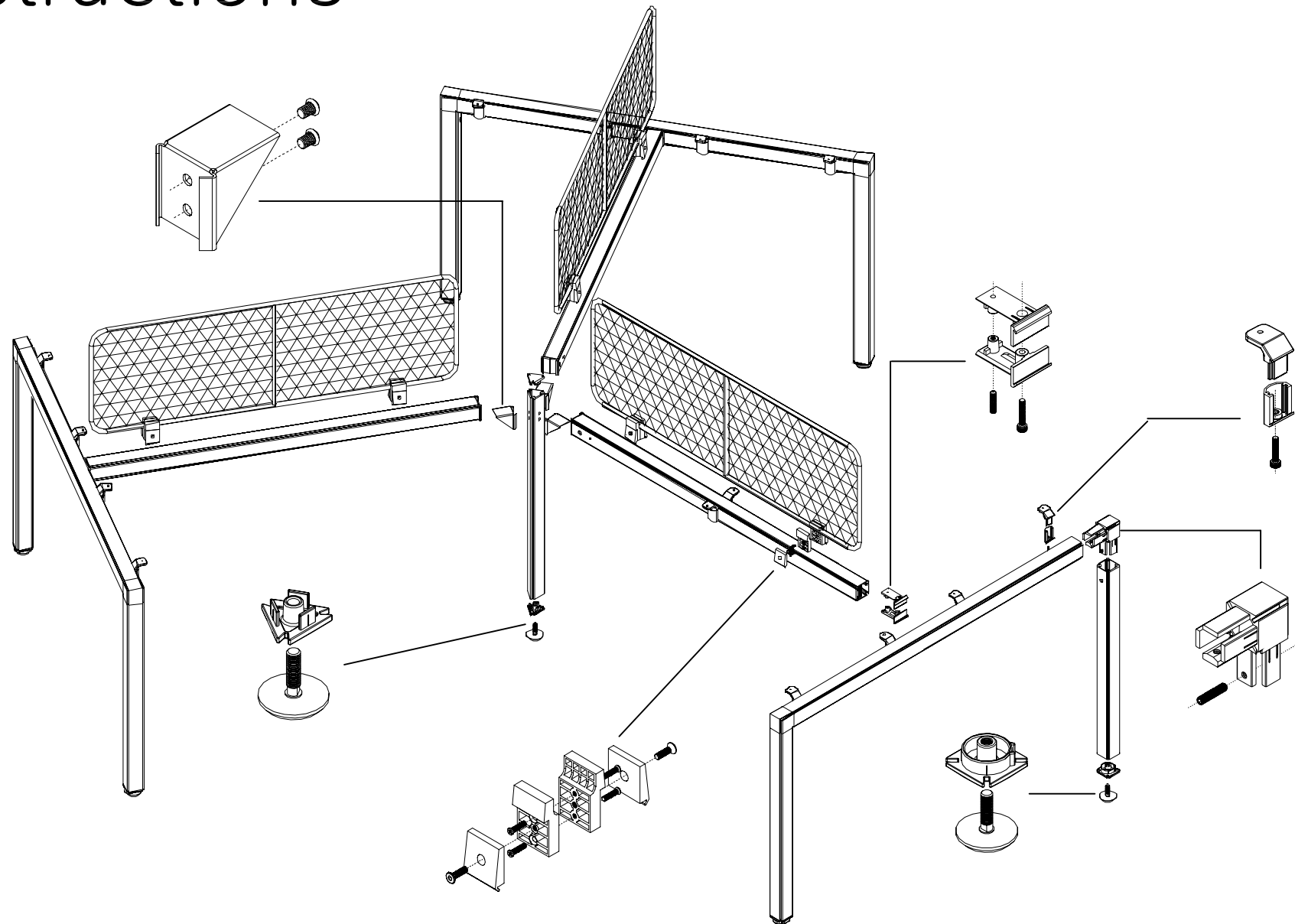


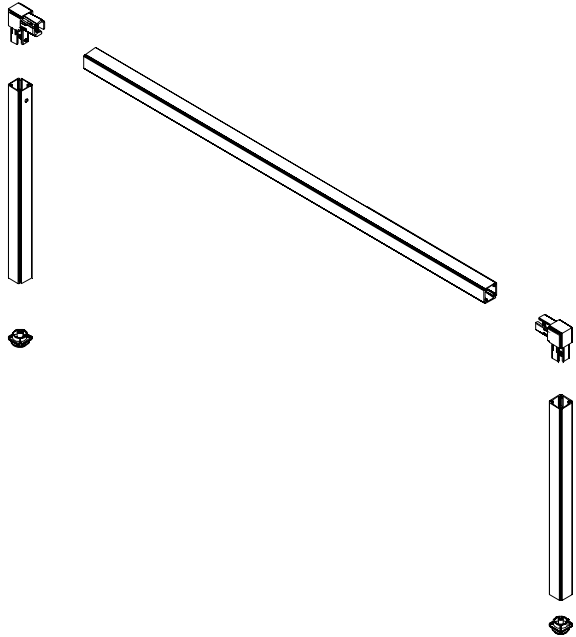
# instructions



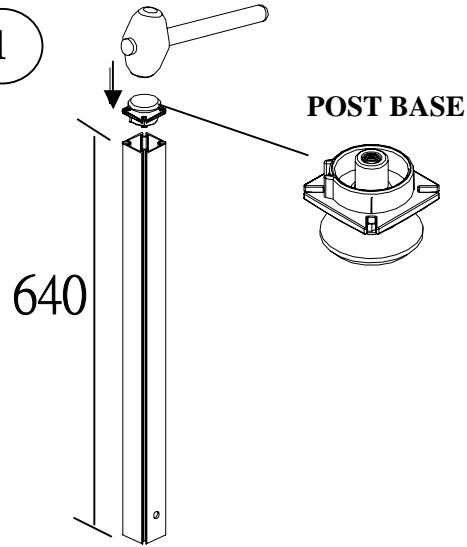
# instructions



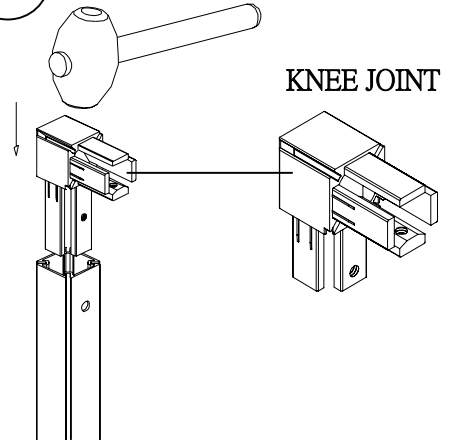
< Step ~ 1 >



1

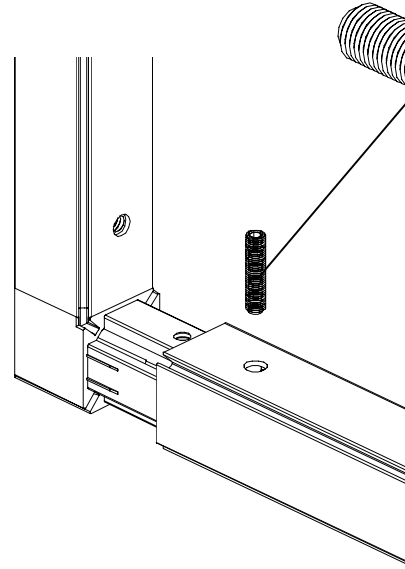


2

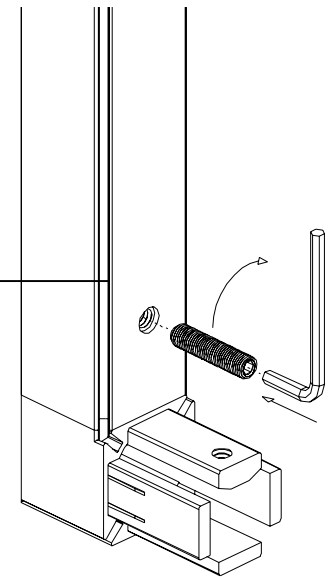


4

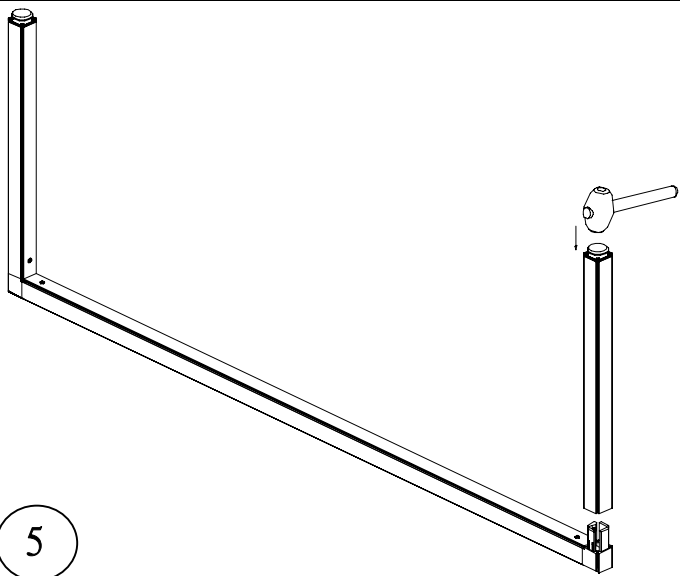
**M10\*40mm GRUB SCREW**



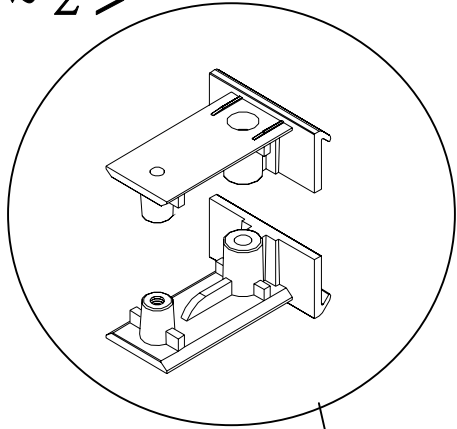
3



5



< Step ~ 2 >



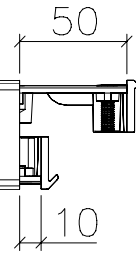
INTERSECT BRACKET

TOP

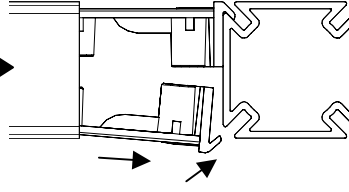
BASE

1

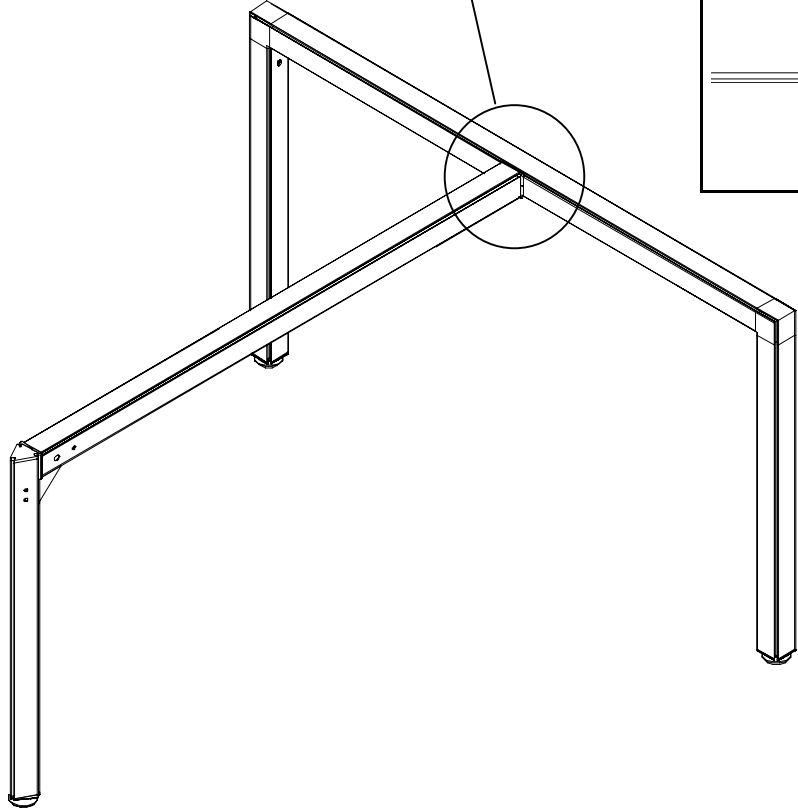
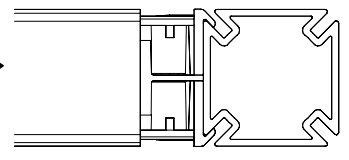
2



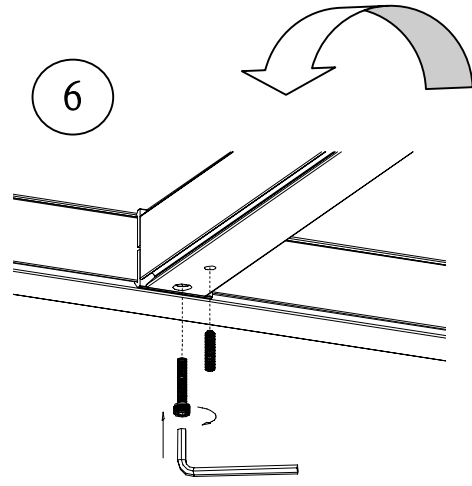
3



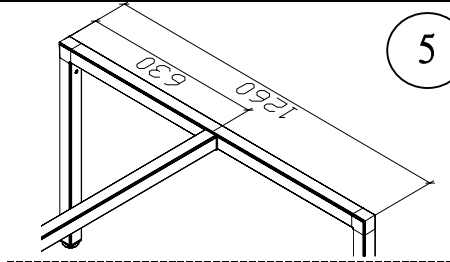
4



6



5



M6\*25mm GRUB SCREW



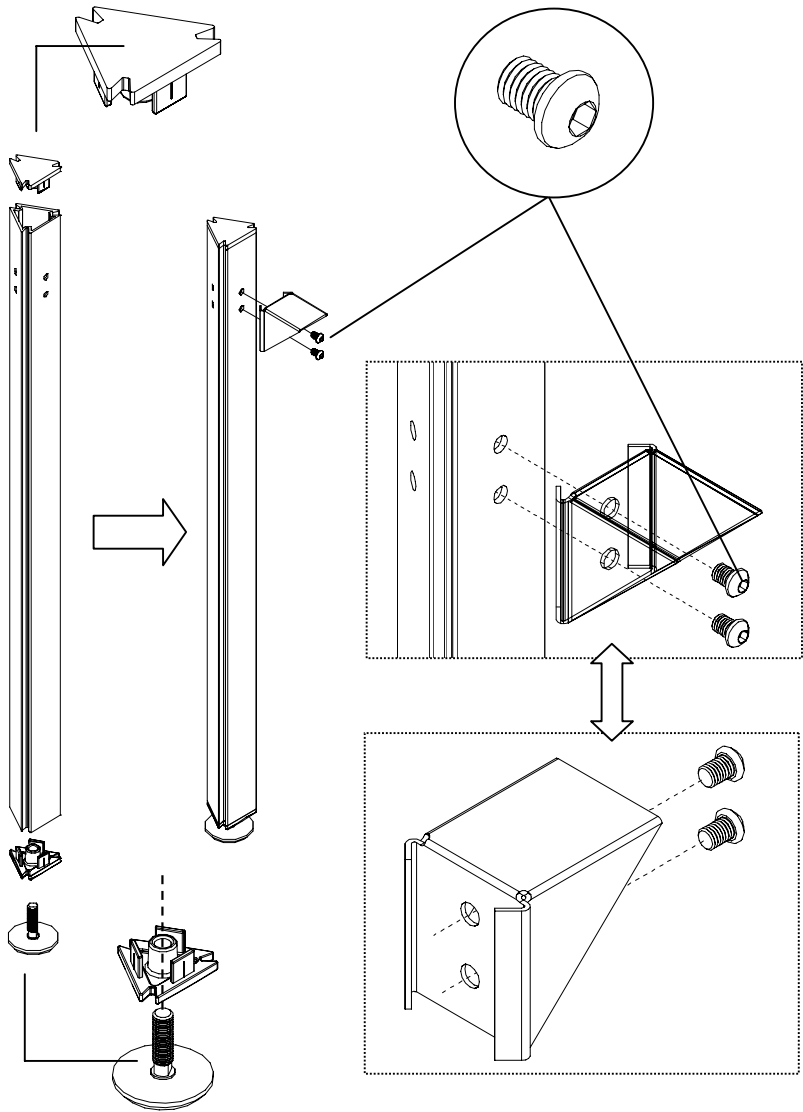
M6\*30mm ALLEN HEAD SCREW



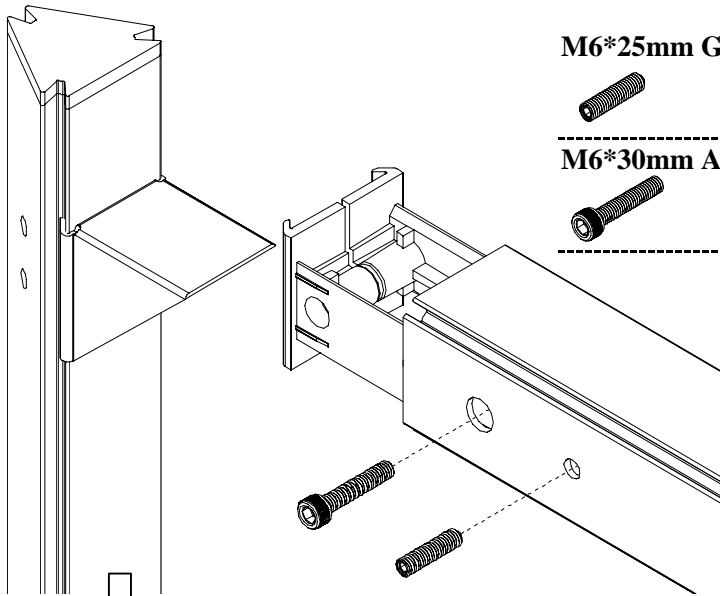
Allen Key / Hex Key



7

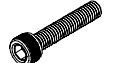


8

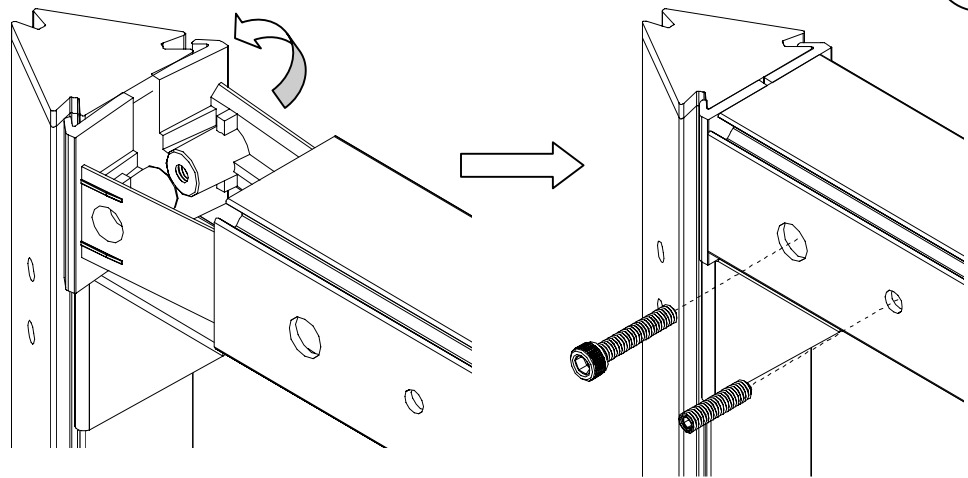


M6\*25mm GRUB SCREW

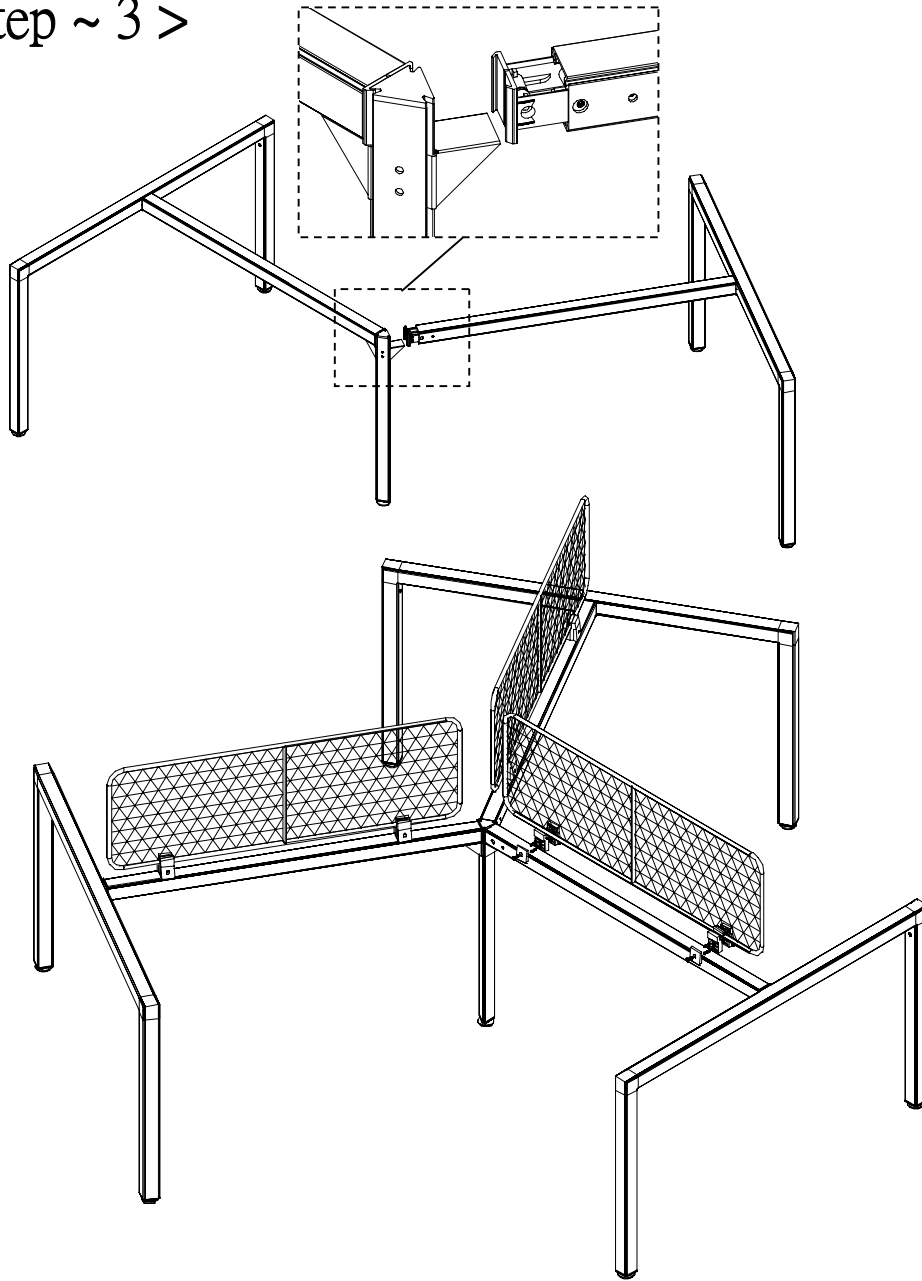
M6\*30mm ALLEN HEAD SCREW



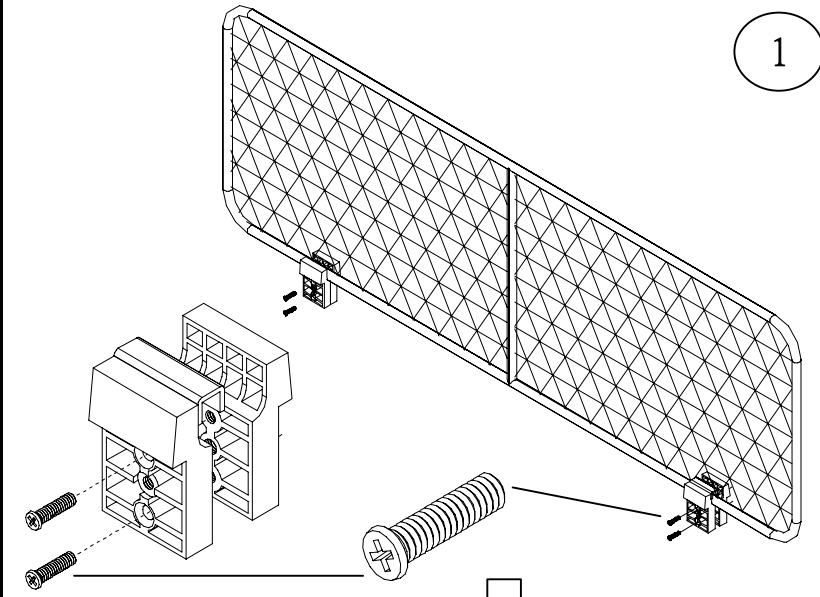
9



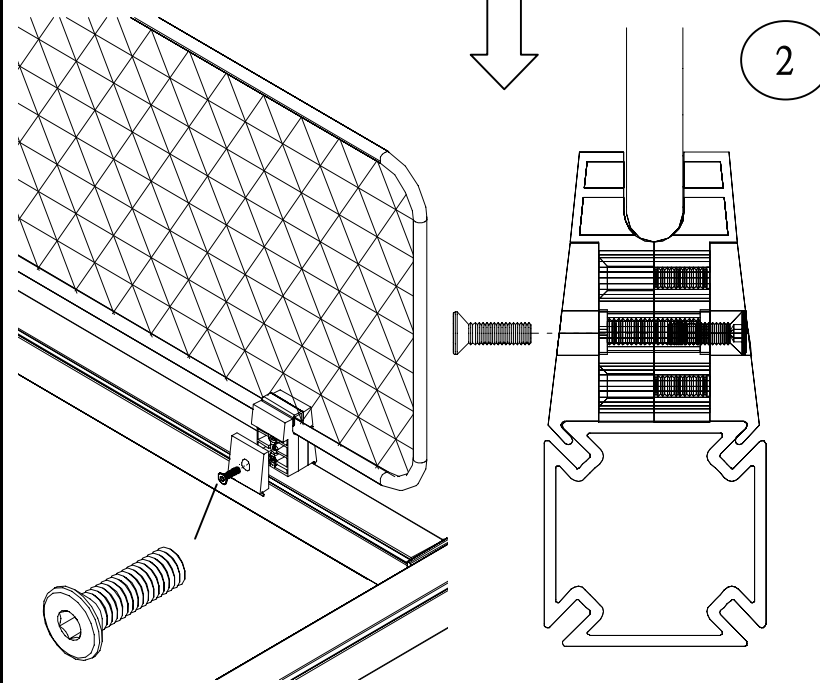
< Step ~ 3 >



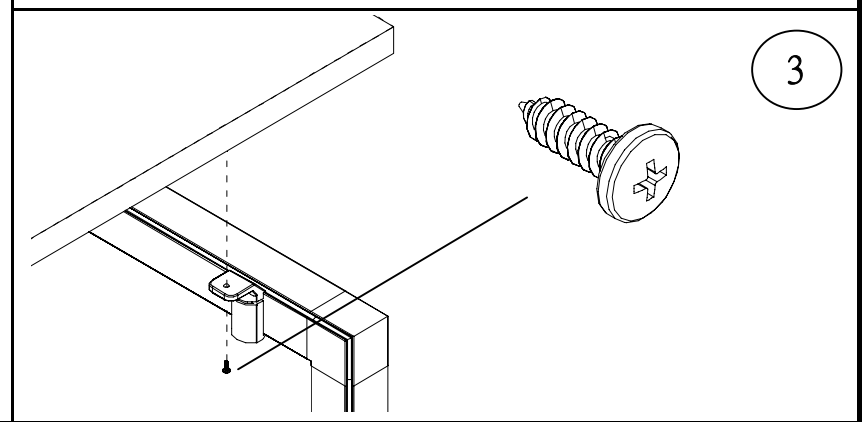
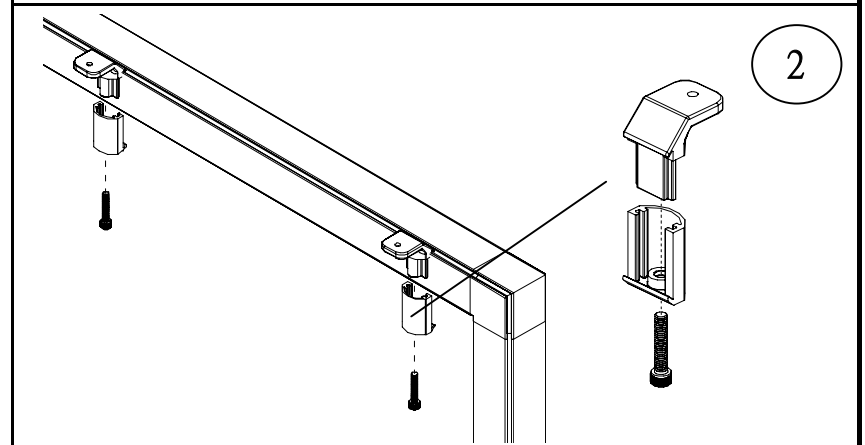
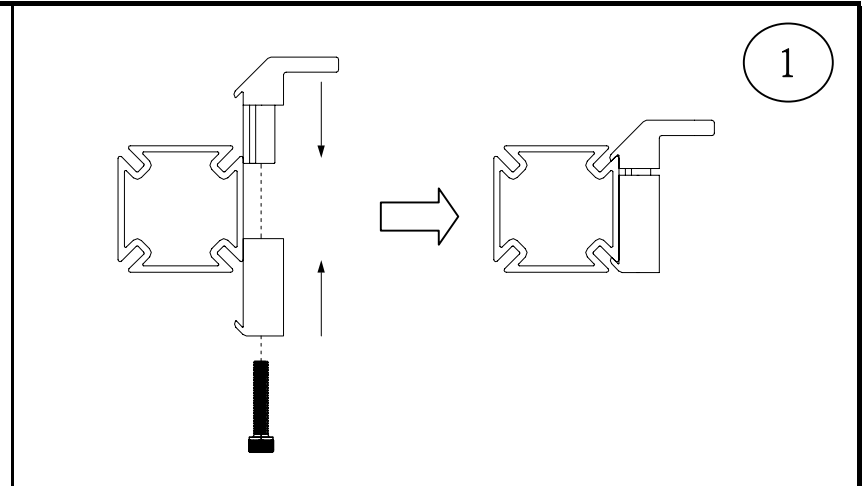
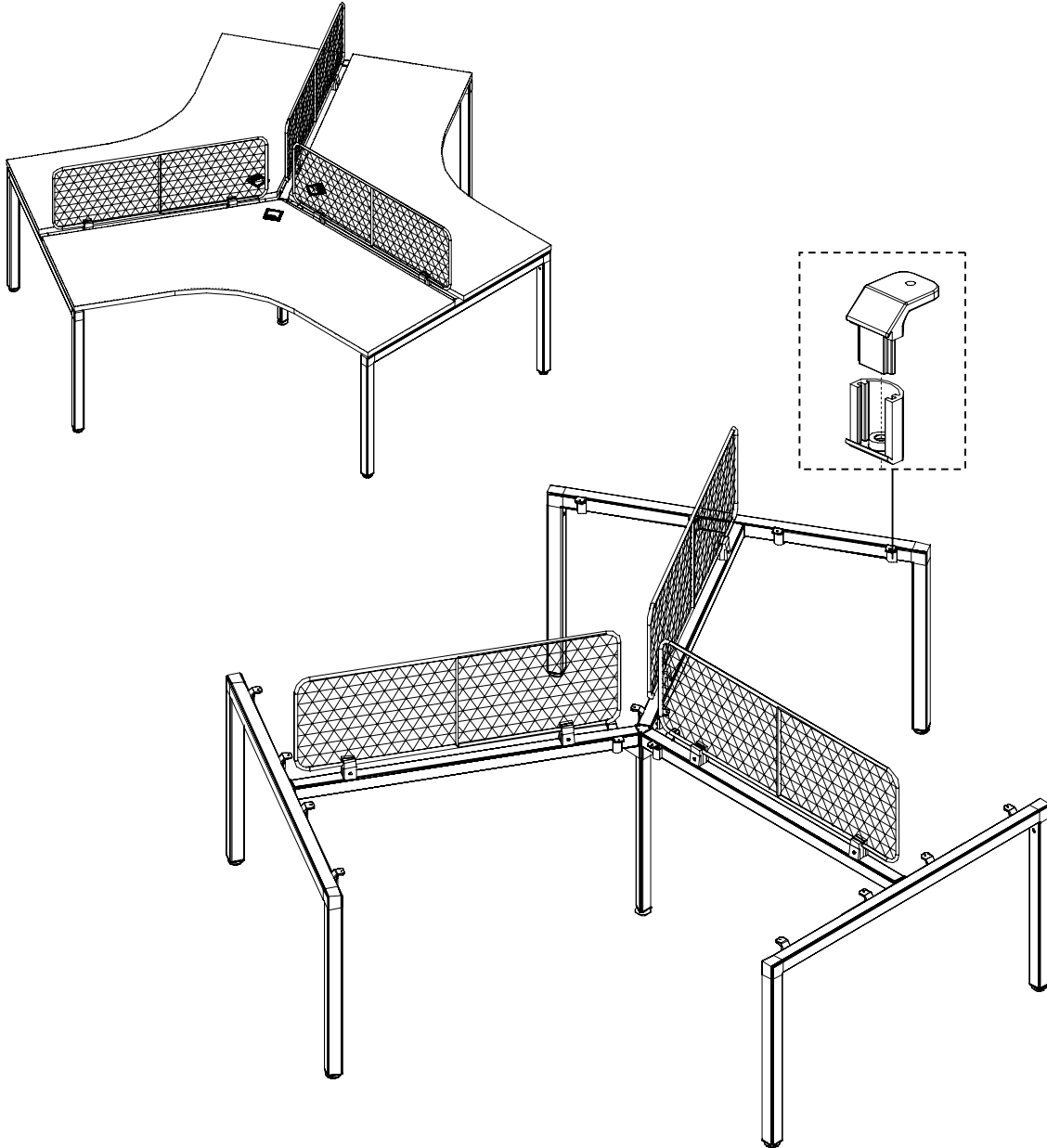
1

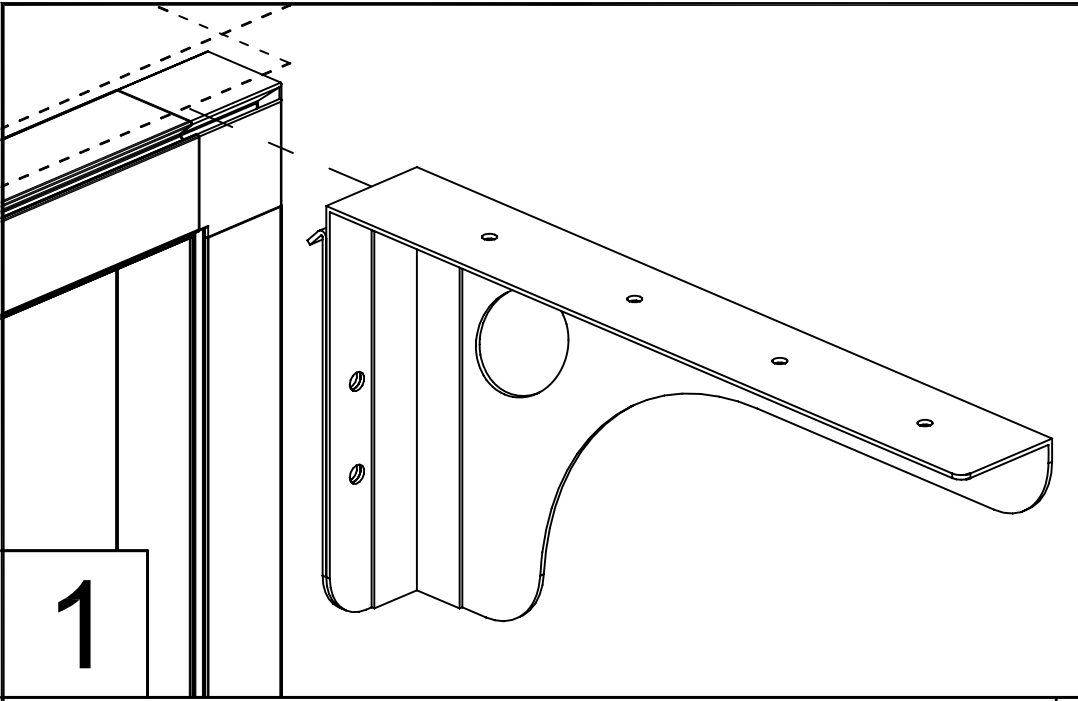


2

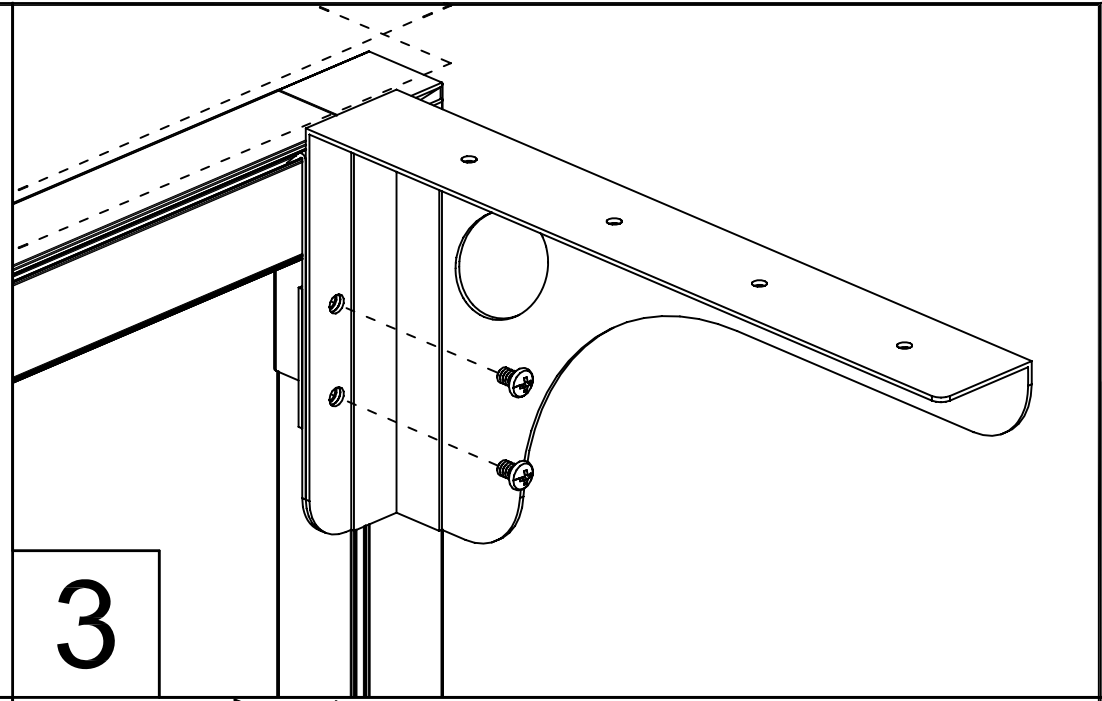


< Step ~ 4 >

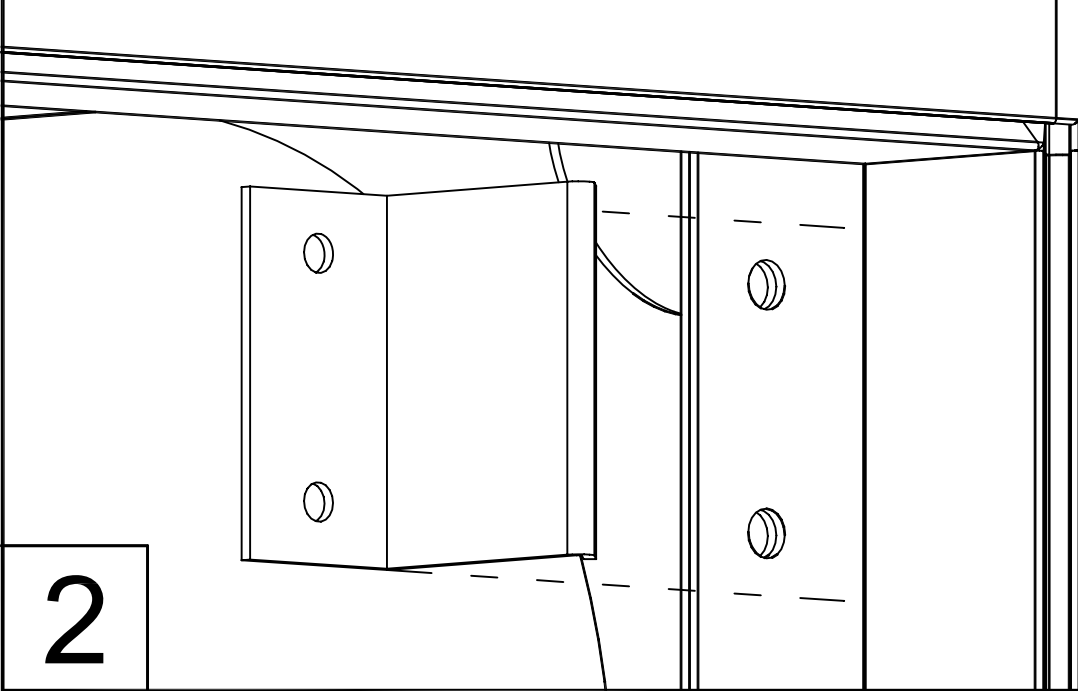




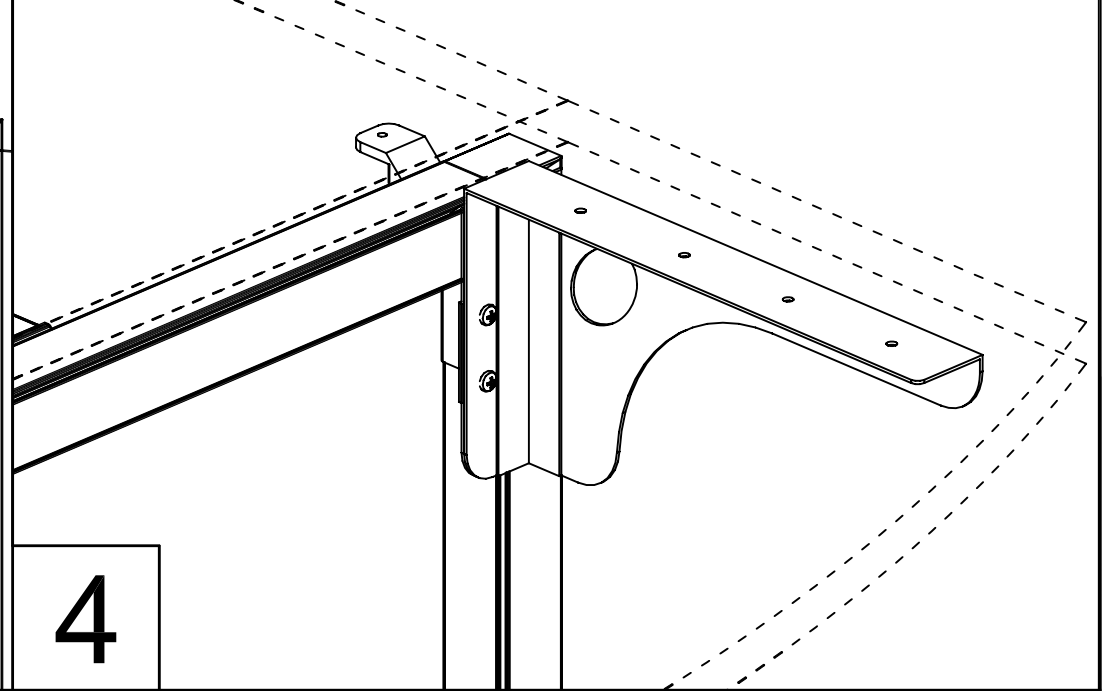
1



3



2



4

SALES: RON	CLIENT: ----	DATE: 05/05/2010	REVISION DATE		PRODUCT :
CHECK BY: RON	DRAWN BY: DEACON	MEASUREMENT: MM	Org.	D.	
			A.	E.	
			B.	F.	
			C.	G.	
SAVE AS: D&D(2010)\SA\RO	FILE NO: 10SARO-020D				